

ALUMINUM FRLs

SERIES Air Treatment Units

A

200 - 500 series body size
Port size 1/8" - 1"



Features

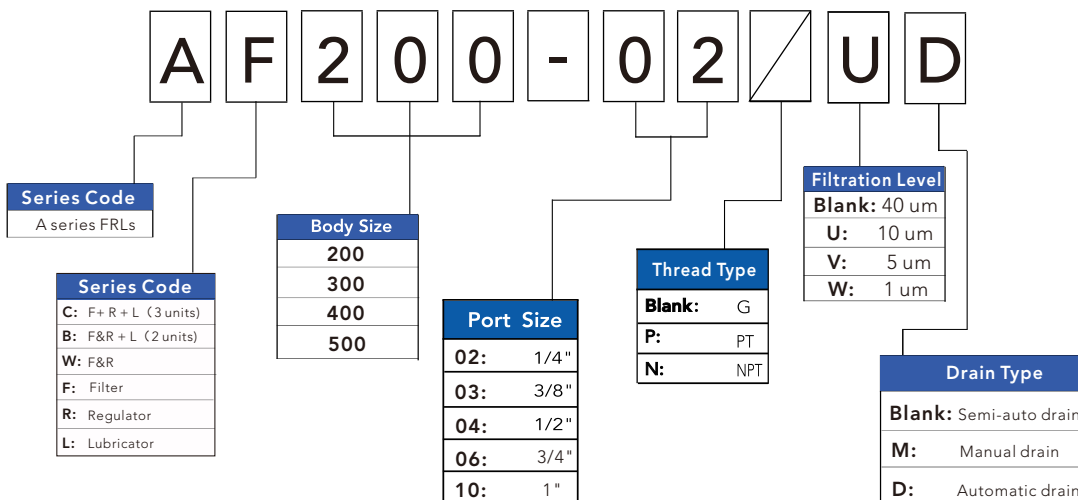
- Compact structure, easy installation and use.
- Press-in automatic locking structure prevents adjustment influence from fluctuation by external interference
- Small pressure loss, high water separation efficiency
- With aluminum cup protection shell, effectively prevent external pressure impact
- Comes with round pressure gauge, can be clearly identified



Specifications

Model	A■200-01	A■200-02 A■300-02	A■300-03 A■400-03	A■400-04	A■400-06 A■500-06	A■500-10
Port size	1/8"	1/4"	3/8"	1/2"	3/4"	1"
Filtration accuracy	40 μm filtration accuracy as default (Copper Sintered); 1 μm, 5 μm, 10 μm is optional (composition fiber)					
Working Fluid	Compressed Clean Air					
Body Material	Aluminum					
Recommended Oil	Turbine No.1 Oil ISOVG32					
Working Pressure	0 - 1.0 Mpa (0 - 145Psi)					
Max. Proof Pressure	1.5 Mpa (218 Psi)					
Working Temperature	5~60°C					
Bowl material	Polycarbonate					
Filter element material	Copper Sintered ; Composition					
Drain Type	Semi-auto Drain ; Manual ; Auto Drain					
Accessories (option)	Mounting bracket, Screws*2					

Ordering Code



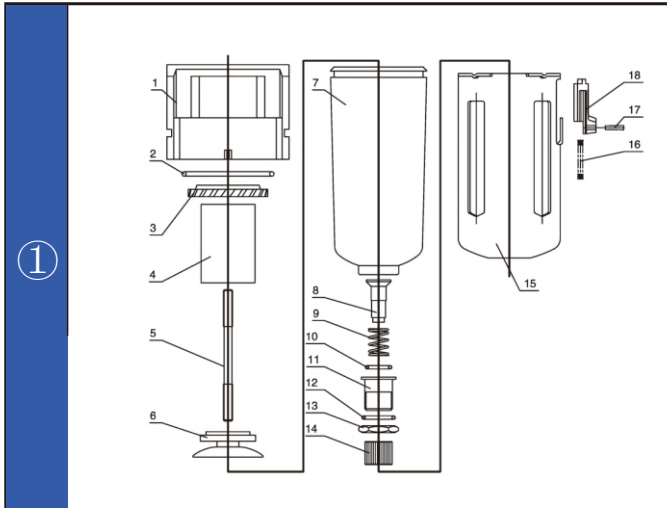
Ordering Example:

A series Air Treatment Unit ,F+R + L (3 units), 300 series body size, 3/8" NPT thread, 10 μm filtration level, Auto drain

SENYA part# AC300-03NUD

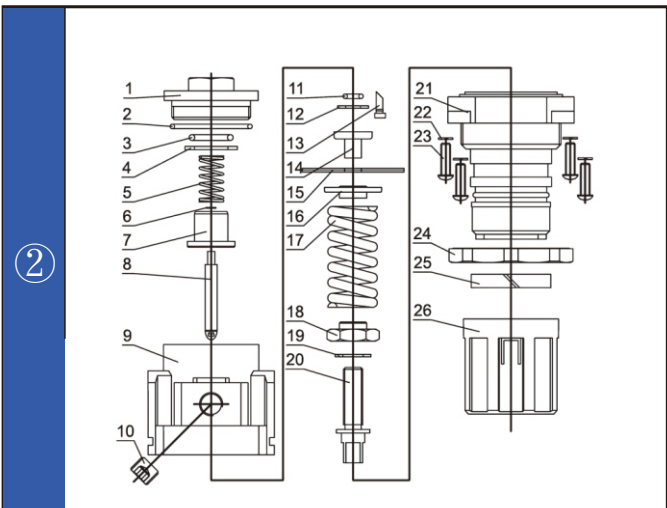
Product Structure:

① AF SERIES FILTER



1	Main Body	4	Filter element	7	Water cup	10	O-ring	13	Hex Nut	16	Spring
2	O-ring	5	Bolt	8	Valve core	11	Drain valve	14	Nut	17	Pin
3	Blade	6	Drain board	9	Spring	12	O-ring	15	Metal bowl	18	Lock

② AR SERIES REGULATOR



1	Regulator seat	4	Washer	7	Valve core	10	Plug	13	Pipe	16	Spring seat	19	Washer	22	Spring washer	25	Symbol ring
2	O-ring	5	Spring	8	Spool	11	O-ring	14	Diaphragm seat	17	Spring	20	Regulate bolt	23	Spring washer	26	Regulate handle
3	O-ring	6	Retainer ring	9	Valve body	12	Retamer ring	15	Diaphragm	18	Regulate nut	21	Valve cover	24	Nut		

ALUMINUM FRLs

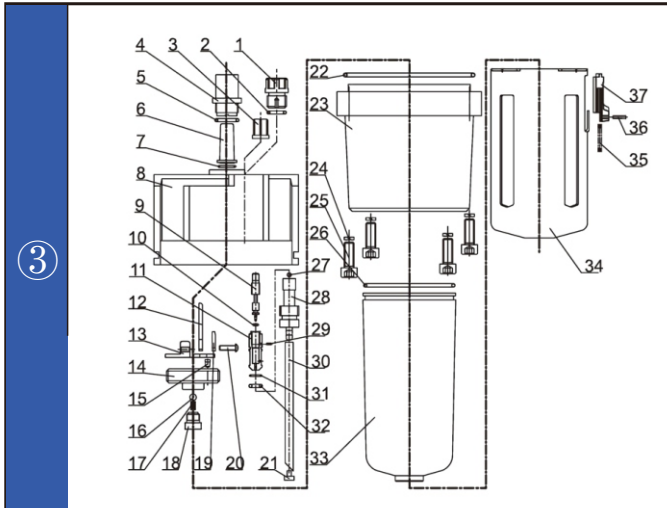
SERIES Air Treatment Units

200 - 500 series body size
Port size 1/8" - 1"



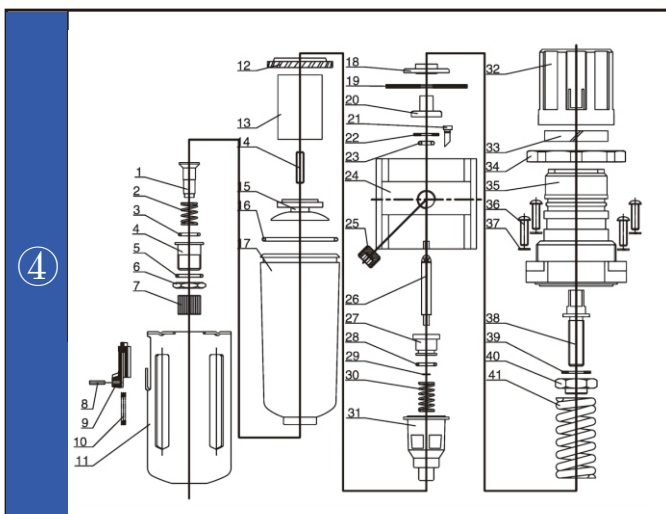
A

③ AL SERIES LUBRICATOR



1	Plug	4	Oil window	7	O-ring	10	O-ring	13	Reed seat	16	Steel ball	19	Reed seat board	22	O-ring	25	Symbol ring
2	O-ring	5	O-ring	8	Lubricator body	11	Oil regulate valve seat	14	Bracket	17	Spring	20	Screw	23	Middle part	26	Regulate handle
3	Oil regulate screw	6	Oil drop tube	9	Regulate needle	12	Reed	15	Small hole seat	18	One way valve plate	21	Filter element	24	Spring washer	25	Hex screw
26	O-ring	27	Steel ball	28	Water cup	29	O-ring	30	Hex Nut	31	Spring	32	O-ring	33	Oil cup	34	Bowl guard
35	Spring	36	Pin	37	Lock												

④ AW SERIES FILTER®ULATOR



1	Valve core	4	Drain valve	7	Nut	10	Spring	13	Filter element	16	Bolt	19	Diaphragm	22	Retainer ring	25	Plug
2	Spring	5	O-ring	8	PIN	11	Bowl guard	14	Bolt	17	Water cup	20	Diaphragm seat	23	O-ring	26	Spool
3	O-ring	6	Hex Nut	9	Lock	12	Whirlwind blade	15	Drain board	18	Diaphragm	21	Pipe	24	Regulator body	27	Valve core
26	Spool	27	Valve core	28	O-ring	29	Retainer ring	30	Spring	31	Overflow valve seat	32	Regulate handle	33	Symbol ring	34	Nut
35	Valve cover	36	Cross screw	37	Spring washer	38	Regulate bolt	39	Washer	40	Regulate nut	41	Spring				

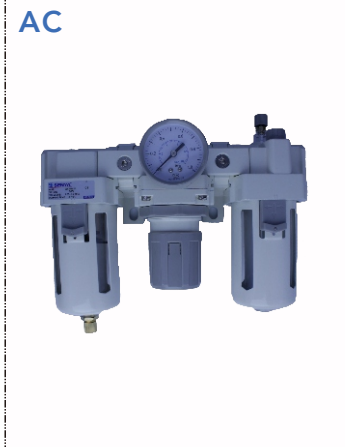
ALUMINUM FRLs SERIES Air Treatment Units

A

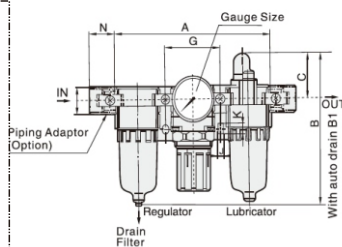
200 - 500 series body size
Port size 1/8" - 1"



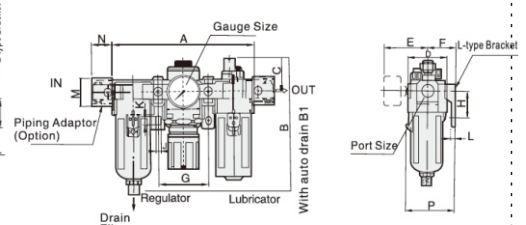
Product Dimensions (200- 500 body series):



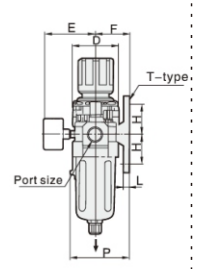
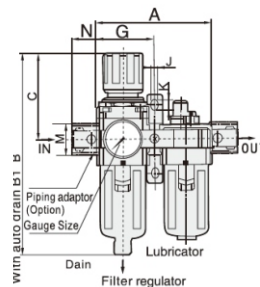
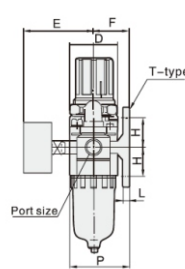
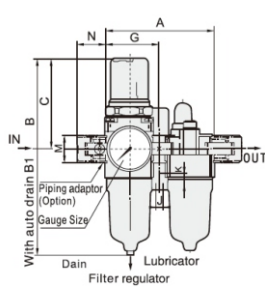
AC200 SERIES



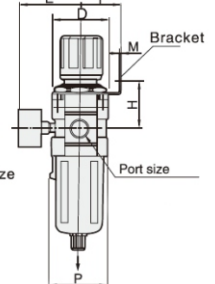
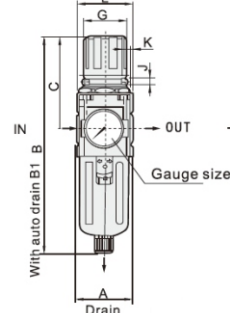
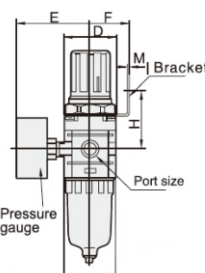
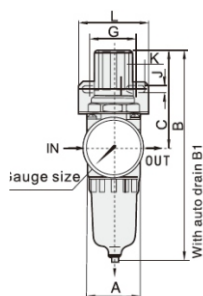
AC300-500 SERIES



Model	A	B	B1	C	D	E	F	G	H	J	K	L	M	N	P
Ac200	140	124	161	38	40	53	30	50	24	6	9	5	22	23	50
Ac300	181	158	170	39	53	57	41	64	35	8	11	7	34	26	71
Ac400	238	190	194	40	70	62	50	84	40	9	13	7	42	33	88
Ac400-06	253	192	195	39	70	66	50	89	40	9	13	7	46	36	88
Ac500	300	272	275	46	90	72	70	105	50	12	16	11	55	40	115



Model	A	B	B1	C	D	E	F	G	H	J	K	L	M	N	P
Ab200	90	162	200	76	40	53	30	45	24	6	9	5	22	23	50
Ab300	116	211	225	92	53	51	40	59	35	8	11	7	34	26	71
Ab400	154	264	267	114	70	67	50	77	40	9	13	7	42	33	88
AB400-06	164	268	271	115	70	67	50	82	40	9	13	7	46	36	88
Ab500	195	343	348	117	90	72	69	98	50	12	16	11	55	40	115



Model	A	B	B1	C	D	E	F	G	H	J	K	L	M	N	P
Aw400	40	162	200	76	40	53	30	34	43	6	15	55	2	33	40
Aw300	53	211	225	92	53	51	40	40	45	8	8	53	2	42	56
Aw400	70	264	267	114	70	67	48	54	54	9	11	70	2	52	73
Aw400-06	75	268	271	115	70	67	48	54	54	9	11	70	2	52	73
Aw500	90	343	348	117	90	72	48	54	62	12	11	70	2	52	90

ALUMINUM FRLs SERIES Air Treatment Units

A

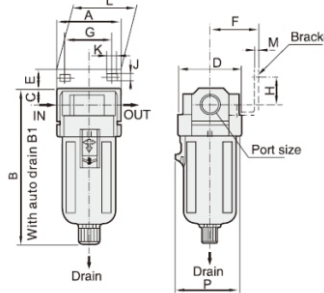
200 - 500 series body size
Port size 1/8" - 1"



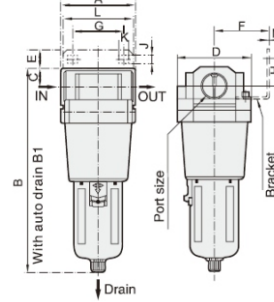
Product Dimensions (200- 500 body series):



AF200-400 SERIES



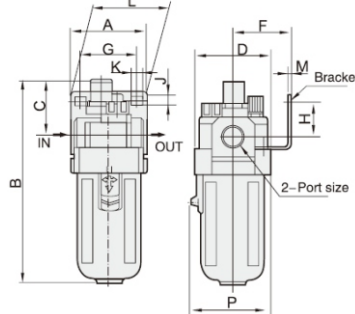
AF500SERIES



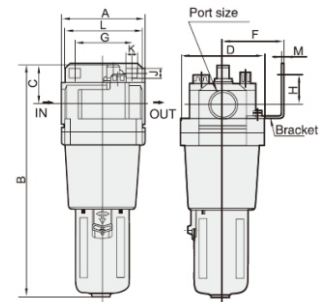
Model	A	B	B1	C	D	E	F	G	H	J	K	L	M	P
Af200	40	97	135	11	40	25	31	19	14	17	7	40	2	23
Af300	53	133	145	14	53	15	42	40	22	7	8	53	2	26
Af400	70	168	172	18	70	18	53	54	27	9	11	70	2	33
Af400-06	75	173	176	20	70	14	50	54	25	9	11	70	2	36
Af500	90	246	250	24	90	23	67	66	35	11	13	90	2	40



AL200-400 SERIES



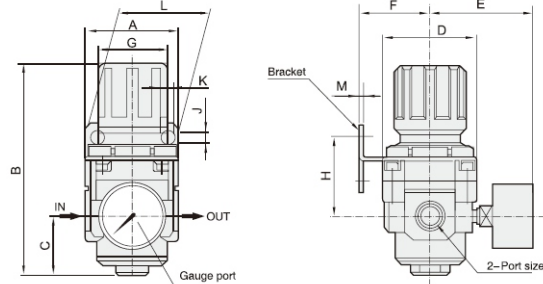
AL500SERIES



Model	A	B	C	D	F	G	H	J	K	L	M	P
Al200	40	115	38	40	31	19	14	17	7	40	2	40
Ab300	53	141	39	53	41	40	23	7	8	53	2	56
Ab400	70	175	40	70	53	54	26	9	11	70	2	73
Ab400-06	75	177	39	70	50	54	26	9	11	70	2	73
Ab500	90	254	46	90	67	66	35	11	13	90	3	90



AL200-500 SERIES



Model	A	B	C	D	E	F	G	H	J	K	L	M	N
Ar200	40	93	17	40	52	31	28	44	43	15	55	2	33
Ar300	53	128	34	53	57	39	34	46	45	8	53	2	42
Ar400	70	150	41	70	62	48	54	55	54	11	70	2	52
Ar400-06	75	154	41	70	66	48	54	55	54	11	70	2	52
Ar500	90	168	49	90	72	48	54	62	62	11	70	2	52