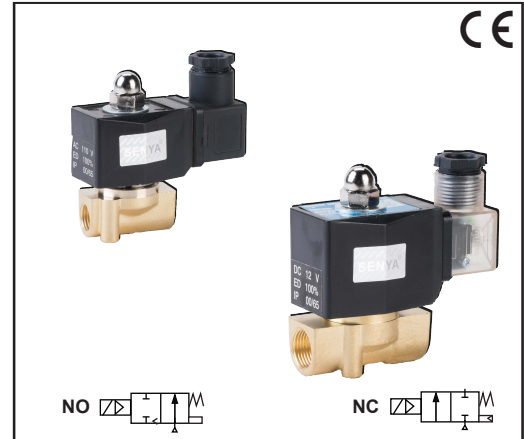


Features

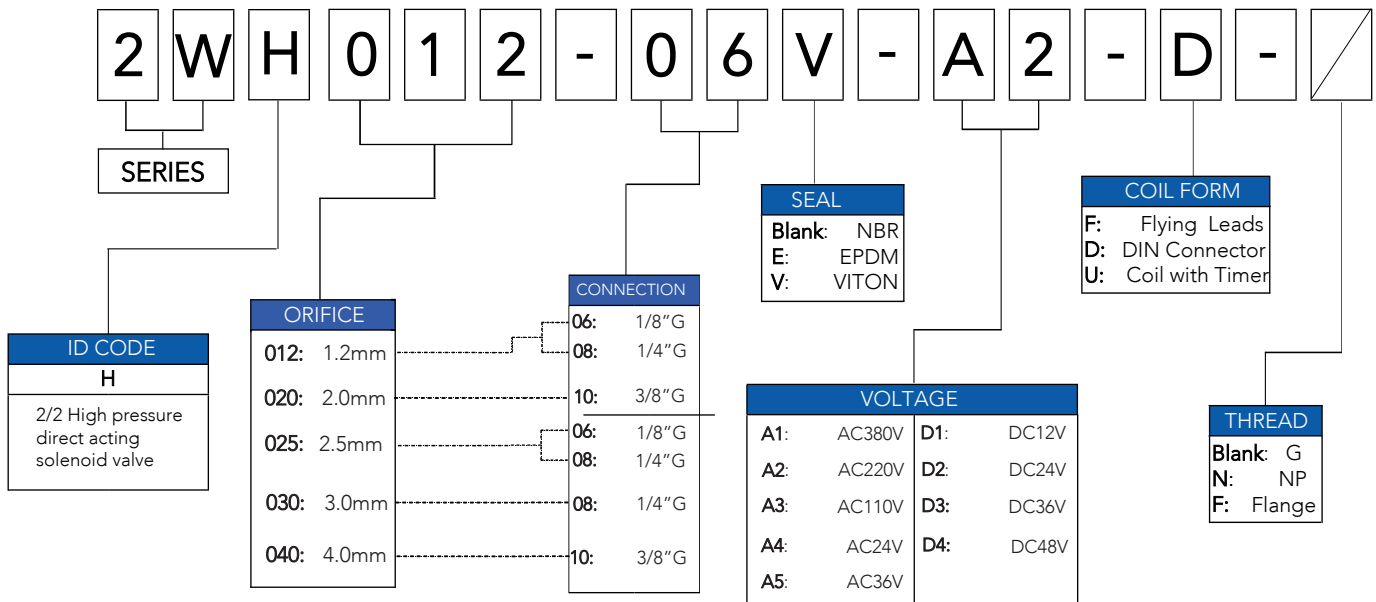
- Zero pressure start, quick reaction time, flow capacity higher than pilot operated type
- Reliable, proven design with high flows
- High pressure design type;
- Compact structure, small size, light weight, convenient disassembly



Electrical

Standard Coil	Watt Rating and Power Consumption				Spare Coil Part Number			
	DC Watt	AC			General Purpose		Explosionproof	
		Watt	VA Holdin	VA Inrush	AC	DC	AC	DC
F	9	10	20	40	AB310-AC	AB310-DC	1680-AC	1680-DC
F	16	18	38	65	AB410-AC	AB410-DC	1661-AC	1661-DC

Ordering Code



Order Example:

2WH series direct acting 2/2 ways solenoid valve, 1/8" port size, 1.2mm orifice, VITON diaphragm seals, AC220V, DIN connector, BSSP (G) thread.
SENYA part# 2WH012-06V-A2-D

Direct Acting

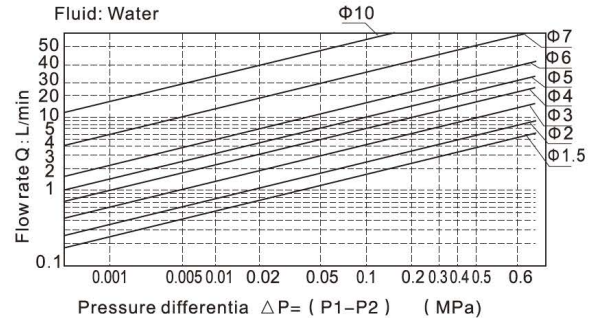
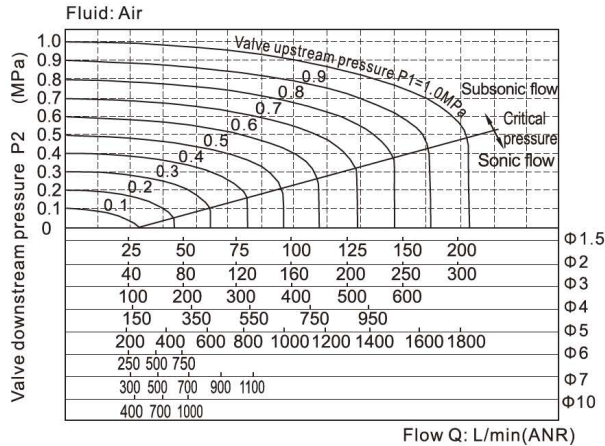
High Pressure Solenoid Valves

Brass Bodies

1/8" to 3/8" BSPP



Performance Chart



Model	Port Size	Orifice
2WH025-06	1/8"	2.5mm
2WH025-08	1/4"	2.5mm
2WH030-08	1/4"	3.0mm
2WH040-10	3/8"	4.0mm
2WH012-06	1/8"	1.2mm
2WH012-08	1/4"	1.2mm
2WH020-10	3/8"	2.0mm

Specifications (Metric units)

Pipe Size (in)	Orifice Size (mm)	CV Flow Factor	Operating Pressure Differential (Bar)							Max. Fluid Temp. °C		Brass	Stainless Steel 304	Watt Rating/ Class of Coil Insulation			
			Min.	Max. AC			Max. DC			AC	DC			Catalog Number	Catalog Number	AC	DC
				Air-Inert Gas	Water	Light Oil less 50 CST	Air-Inert Gas	Water	Light Oil less 50 CST								
NORMALLY CLOSED (Closed when de-energized)																	
1/8	1.2	0.05	0	20	20	20	20	20	20	20	80	80	2WH012-06-A2-D	2SH012-06-A2-D	6.1/F	11.6/F	
1/8	2.5	0.23	0	7	7	-	5	5	-	80	80	2WH025-06-A2-D	2SH025-06-A2-D	10.1/F	11.6/F		
1/4	1.2	0.05	0	20	20	20	20	20	20	80	80	2WH012-08-A2-D	2SH012-08-A2-D	6.1/F	11.6/F		
1/4	2.5	0.23	0	7	7	7	5	5	5	80	80	2WH025-08-A2-D	2SH025-08-A2-D	17.1/F	-		
1/4	3.0	0.33	0	15	15	15	15	15	-	80	80	2WH030-08-A2-D	2SH030-08-A2-D	6.1/F	11.6/F		
3/8	2.0	0.15	0	20	20	20	20	20	20	80	80	2WH020-10-A2-D	2SH020-10-A2-D	10.1/F	11.6/F		
3/8	4	0.6	0	8	8	5	5	5	5	80	80	2WH040-10-A2-D	2SH040-10-A2-D	17.1/F	-		

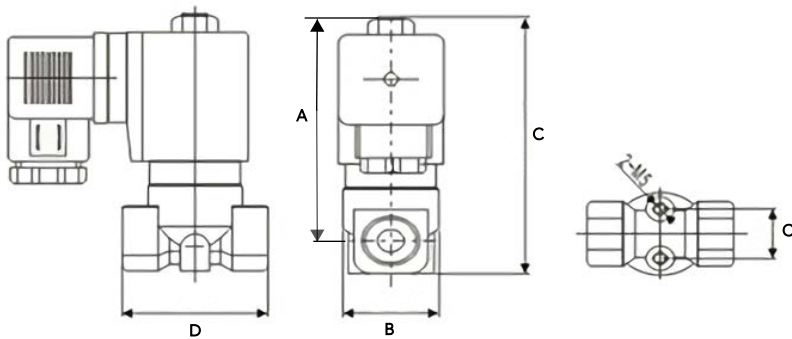
***Note:**

Standard Voltages must be specified when ordering. Other voltages please consult SENYA staff for more details

Dimensions Sheet (mm)

Valve Dimensions (mm)

1/8-3/8"



Model	Port Size	A	B	C	D
2WH012-06-A2-D	1/8"	66	30.3	80	40.5
2WH025-06-A2-D	1/8"	66	30.3	80	41.5
2WH012-08-A2-D	1/4"	66	30.3	80	40.5
2WH025-08-A2-D	1/4"	66	30.3	80	41.5
2WH030-08-A2-D	1/4"	59	24	75	40
2WH020-10-A2-D	3/8"	74	32.5	92	53
2WH040-10-A2-D	3/8"	74	32.5	92	53

IMPORTANT: Valves may be mounted in any position, except as noted in specifications table.