

## Features

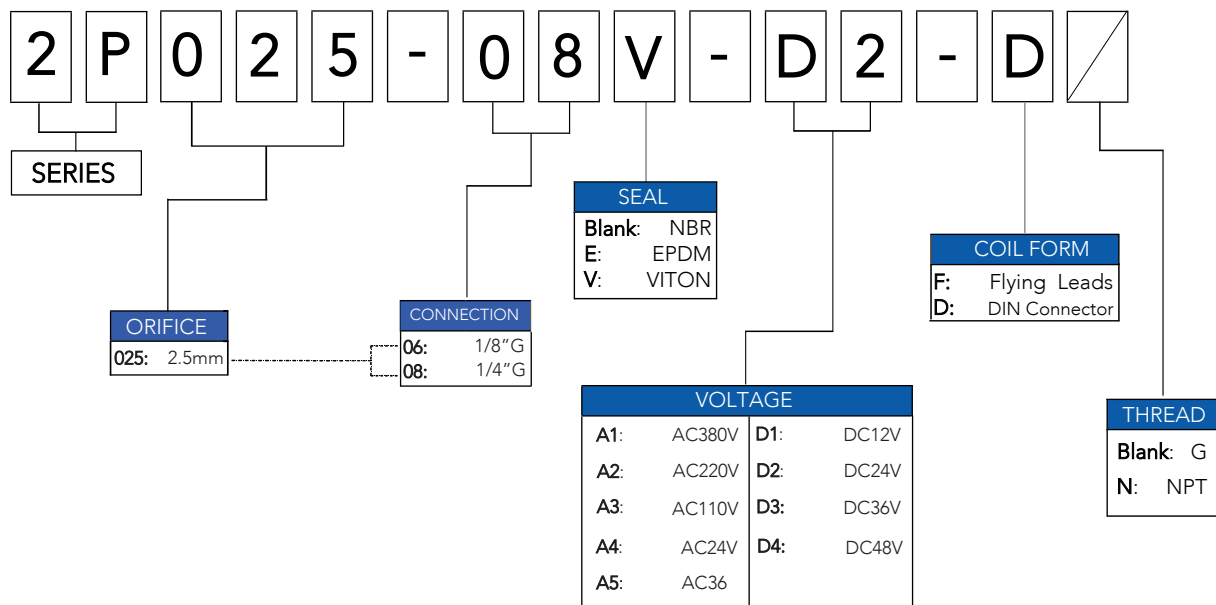
- Engineering polymer valve bodies with an economic option.
- Compact design, anti-corrosion, and easy for installation.
- Direct acting design, it has strong resistance to impurities in the medium.



## Electrical

Standard Coil  Class of Insulation	Watt Rating and Power Consumption				Spare Coil Part Number			
	DC		AC		General Purpose		Explosionproof	
	DC12V Watt	DC24V Watt	AC110V Watt	AC220V Watt	AC	DC	AC	DC
H/F	7.5W	6W	10VA	9VA	XHD-2P-AC	XHD-2P-DC	-	-
-	-	-	-	-	-	-	-	-
-	-	-	-	-	-	-	-	-

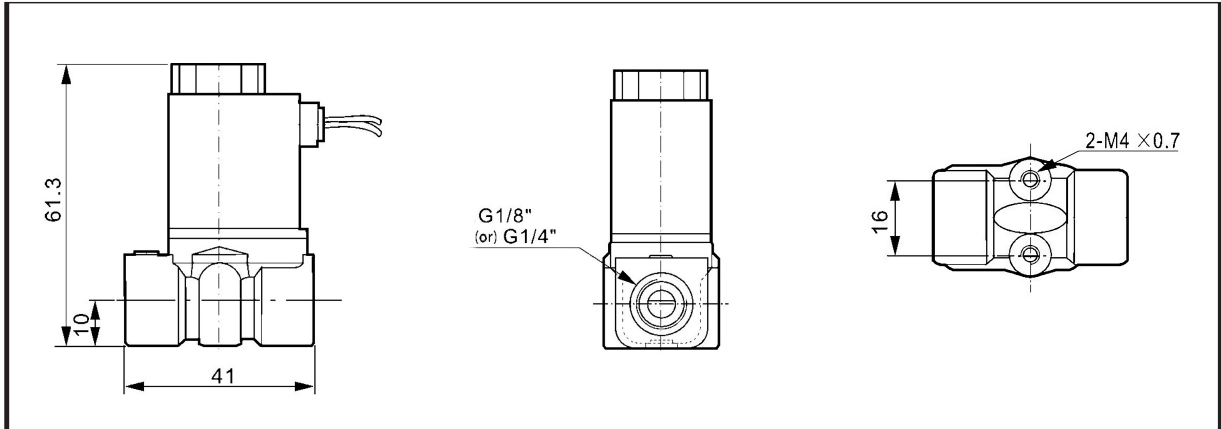
## Ordering Code



### Order Example:

2P series direct acting 2/2 ways solenoid valve, 1/8" port size, VITON seals, AC220V24V, DIN connector, BSPP (G) thread.  
**SENYA part# 2P025-06V-D-2-D**

## Dimensions Sheet (mm)



Model	2P025-06-D2-D	2P025-08-D2-D
Medium	Air, Water, Oil, Gas	
Working Pattern	Direct Drive Type	
Default Working Type	Normal Close Type	
Orifice	2.5mm	
CV Value	0.23	
Port Size	1/8"	1/4"
Operation Fluid Viscosity	20 CST (Below)	
Working-pressure	0-0.7 Mpa (0-102 Psi)	
Max. Pressure Resistance	1.05 Mpa ( 152 Psi)	
Operating Temperature Range	-5~80°C	
Voltage Range	±10%	
Power Consumption	AC: 7VA/50Hz; 9VA/50Hz, DC:6W	
Material of Body	Engineering Plastic Steel	
Material of Oil Seal	NBR, EPDM ( or ) VITON	

## Specifications (Metric units)

Pipe Size (mm)	Orifice Size (mm)	CV Flow Factor	Operating Pressure Differential (Bar)							Max. Fluid Temp. °C		Brass Body	Stainless Steel 304	Watt Rating/ Class of Coil Insulation	
			Max. AC			Max. DC				AC	DC			Catalog Number	Catalog Number
			Min.	Air-Inert Gas	Water	Light Oil less 20 CST	Air-Inert Gas	Water	Light Oil less 20 CST						
1/8	2.5	0.23	0	7	7	7	7	7	4	80	80	2P025-06-D2-D	-	6.1/F	6.1/F
1/4	2.5	0.23	0	7	7	7	7	7	4	80	80	2P025-08-D2-D	-	6.1/F	6.1/F

**\*Note:**

Standard Voltages must be specified when ordering. Other voltages please consult SENYA staff for more details